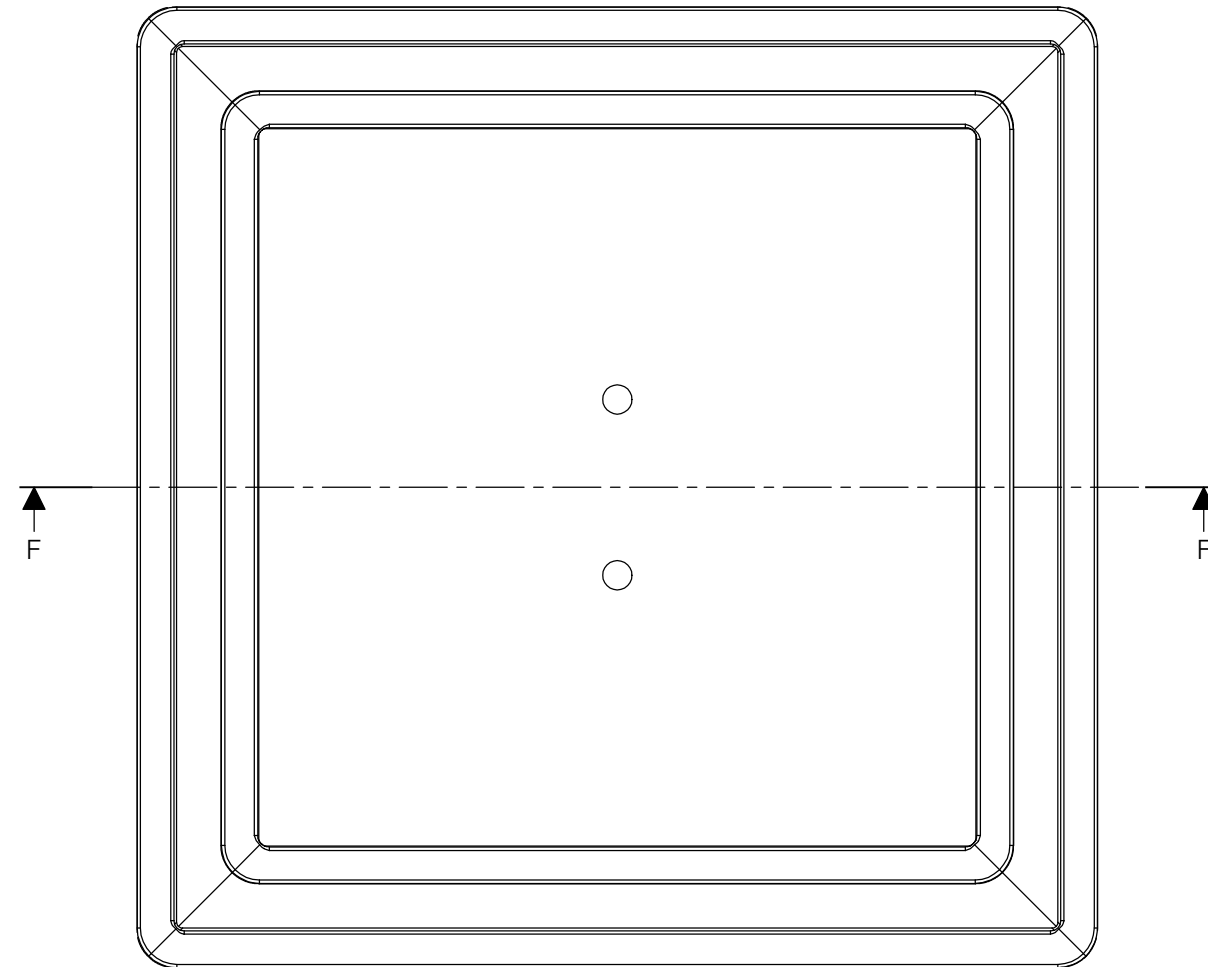
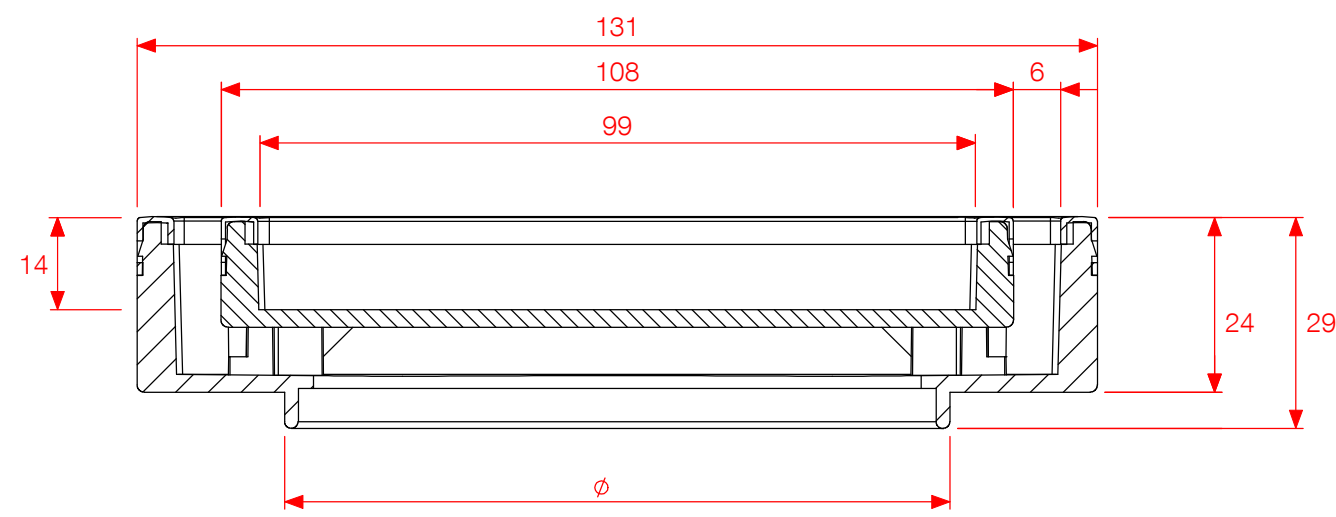
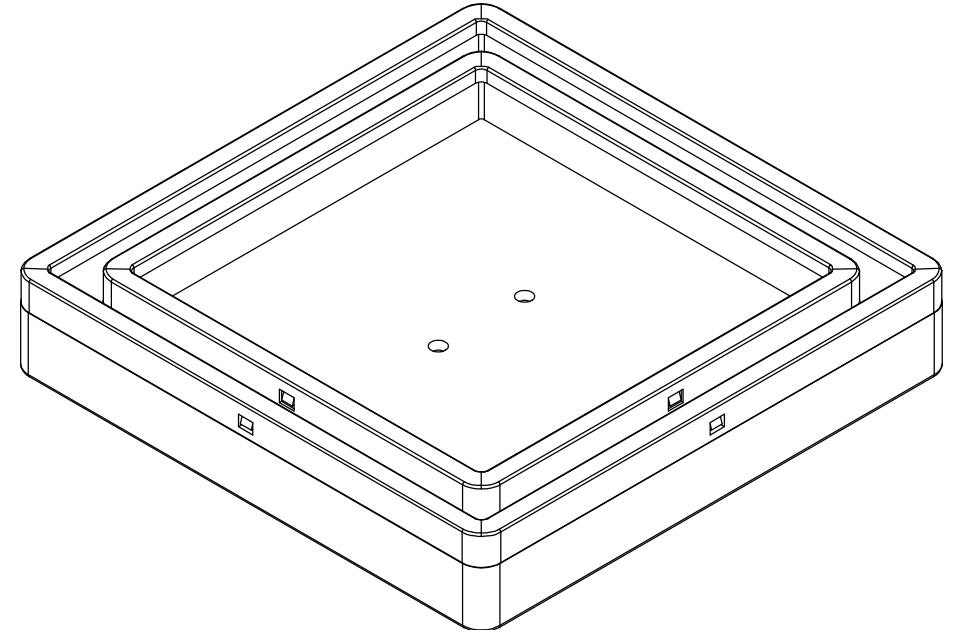


DESCRIPTION	
CODE	FINISH
INV100SS	STAINLESS STEEL



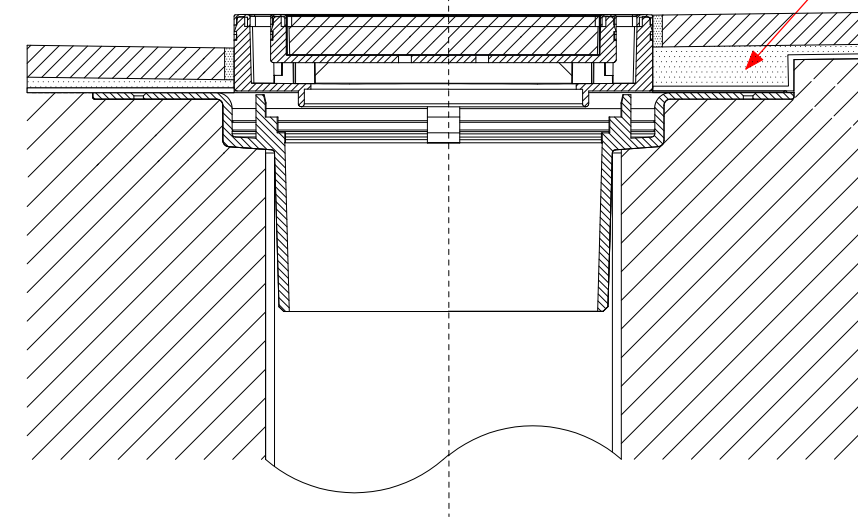
TOP VIEW



SECTION F-F
SCALE 1 : 1

Please note:
When installing the flange may require rebating into the substrate due to the grate depth.

Rebated flange to provide level tiles to grate



REVISIONS	CHANGES	DRAWN	DATE	DO NOT SCALE DRAWING		TITLE
				REQUESTED	DATE	100MM INVISI-DRAIN STAINLESS
				A.J	10.8.2010	
				DRAWN	DATE	APPLICABLE STANDARD(S):
				S.L.	15.8.2010	
				APPROVED	DATE	PART NUMBER INV100SS
						SCALE 1 : 2 (UOS)
						SHEET 1 OF 1

DISCLAIMER : THE DESIGN SUGGESTION IS PROVIDED FOR EVALUATION PURPOSES ONLY.
IT IS NOT TO BE CONSIDERED A FULL DESIGN AS WE ARE NOT THE CONSULTING ENGINEERS. WE ARE MANUFACTURERS. WE ARE NOT PRIVY TO ALL THE INFORMATION PERTAINING TO THIS MATTER AND WE HAVE NO CONTROL OVER THE PROJECT INSTALLATION OF THE PRODUCT. THE DESIGN SUGGESTION IS PROVIDED WITHOUT OBLIGATION. DESIGN IS TO BE CONFIRMED AND APPROVED BY THE ARCHITECT, HYDRAULICS ENGINEER, OR PROJECT MANAGER. ACCURATE MEASUREMENTS SHOULD BE CONFIRMED BY THE PERSON APPROVING THE DESIGN. ALLPROOF ACCEPTS NO LIABILITY FOR THE IMPROPER USE OF THE DESIGN SUGGESTION.

